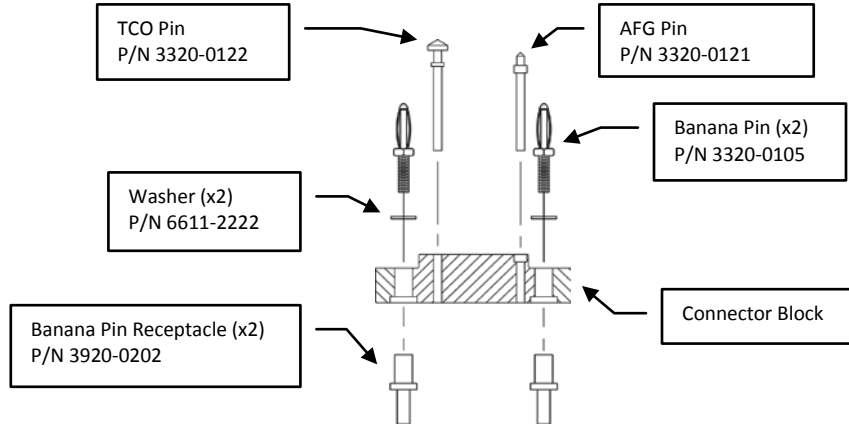




Replacing a Broken Banana Pin



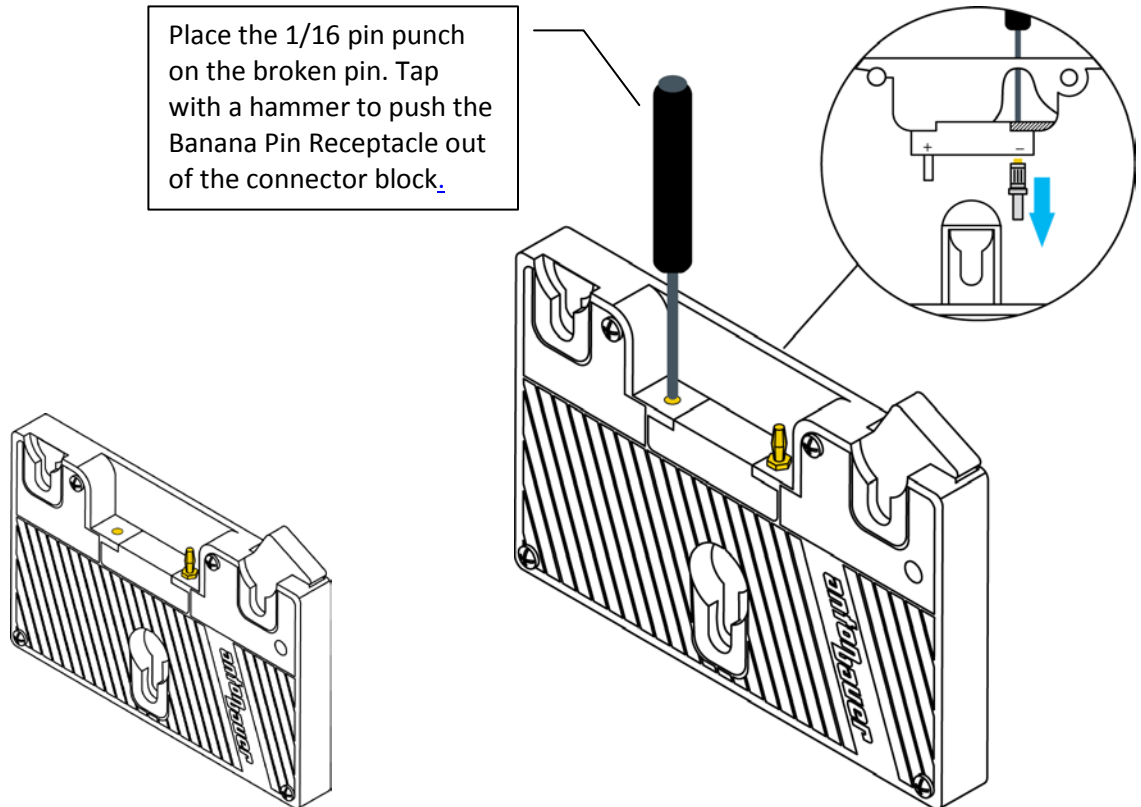
Tools Needed:

- Philips screwdriver
- 4mm nut driver
- 1/16 pin punch or similar
- Small hammer
- Small pliers

Procedure:

Remove the Gold Mount[®] from the charger or camera and save all hardware.

Place the 1/16 pin punch on the broken pin. Tap with a hammer to push the Banana Pin Receptacle out of the connector block.



Anton/Bauer Main Number
+ 203-929-1100

www.antonbauer.com

Latest Charger Revisions

Model	Rev.
QUAD 2702	5.4
DUAL 2722	3.2
TWIN	20.0
Tandem 70	15.0
T2	3.2
TWQ	20.0
CINE VCLX Charger	3.0
CINE VCLX/2 Charger	1.0



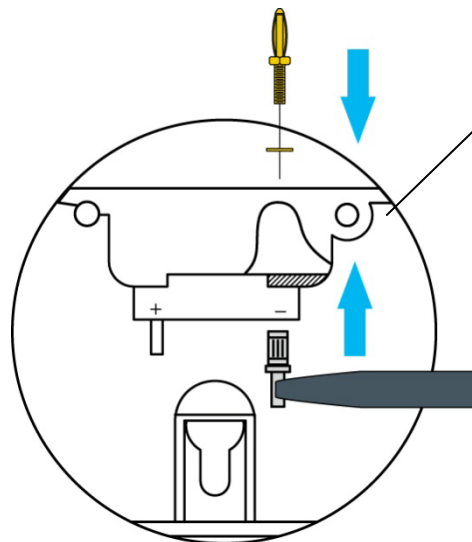
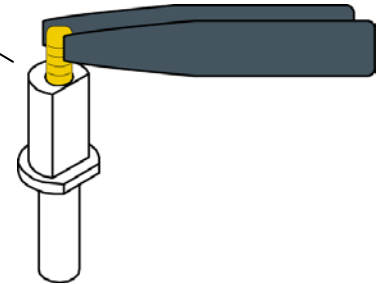
Anton/Bauer Main Number
+ 203-929-1100

www.antonbauer.com

Latest Charger Revisions

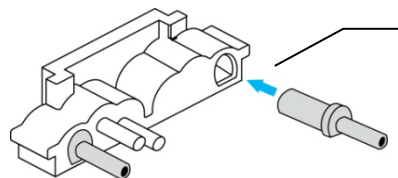
Model	Rev.
QUAD 2702	5.4
DUAL 2722	3.2
TWIN	20.0
Tandem 70	15.0
T2	3.2
TWQ	20.0
CINE VCLX Charger	3.0
CINE VCLX/2 Charger	1.0

Using pliers, carefully unscrew the broken shaft of the Banana Pin from the Banana Pin Receptacle.



Use pliers to reinstall the Banana Pin Receptacle into the connector block (note the "D"-shape of the pin*).

Install one washer on the Banana Pin and screw into place using the 4mm nut driver.



*Banana Pin Receptacle and connector block are keyed with a "D"-shape. The Banana Pin Receptacle must be aligned for proper installation.

Re-install the Gold Mount onto the charger or camera using the hardware saved from step #1.

Note: If the Banana Pin is broken about the nut portion, simply unscrew the broken pin and reinstall a new one.

Customer Support Group can be contacted in the following manner:

USA:
Email: support@antonbauer.com
Phone: 203-925-4991 or 800-541-1667
Fax: 203-925-5203

EUROPE:
Email: rploeg@antonbauer.com
Phone: +31-45-5639220

ASIA:
Email: adamkoh@starhub.net.sg
Phone: +65-6285-7452