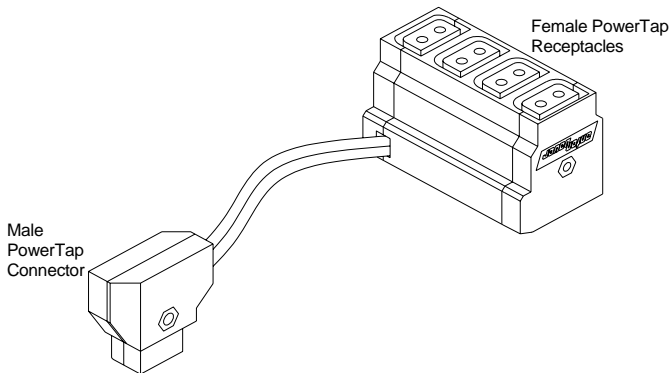


The power behind the best cameras capturing the best images in the world.sm

1. Plug Male PowerTap[®] connector into female PowerTap receptacle of your existing Gold Mount[®] battery adapter.
2. Plug your Ultralight[®], Ultralight 2, or other accessories into the Female PowerTap Receptacles.



Note: Check your Gold Mount battery adapter for maximum current draw. All Anton/Bauer[®] Gold Mounts will have a maximum current draw of between 7 and 10 amps.