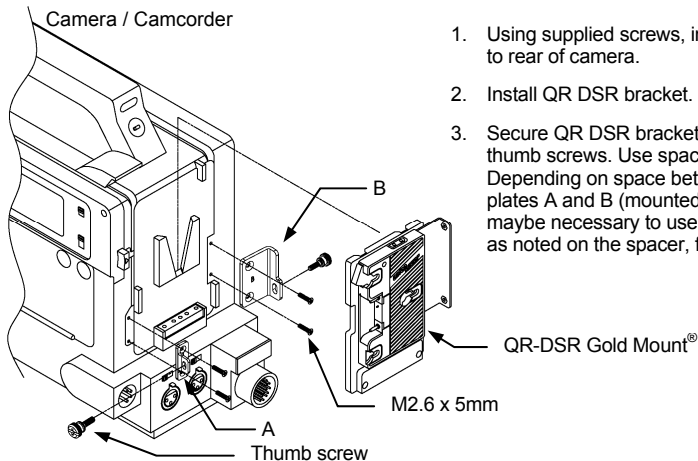


Note: When using Non-Digital Anton/Bauer® batteries on the Sony DSR-300/500, the Battery Menu (206) must be set to the "LI" mode.



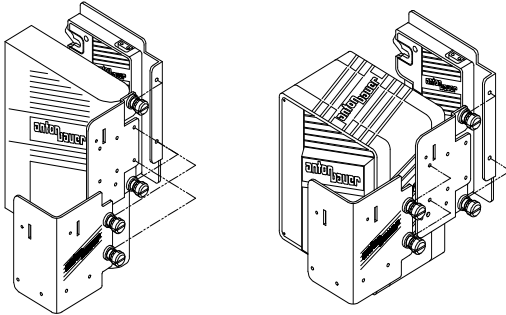
1. Using supplied screws, install mounting plates A and B to rear of camera.
2. Install QR DSR bracket.
3. Secure QR DSR bracket to mounting plates via thumb screws. Use spacers if required. Note: Depending on space between bracket and plates A and B (mounted to camera in step "1"), it may be necessary to use either side one (1) or two (2), as noted on the spacer, for proper fit.



Available Separately

ABWMK-KIT Universal Mounting Plate for Wireless Receivers

- Allows user to use the same Wireless Receiver Plate for ALL Anton/Bauer Batteries.
- Allows a Receiver to be mounted on either the side of the Battery, behind the Battery, or both.
- Will accommodate WRB-185 and WRB-200 Wireless Receiver Compartments.

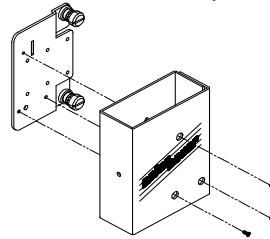


WRB-185 and WRB-200 For Lectrosonics Style Receivers

- Attaches directly to any Anton/Bauer Wireless Receiver Plate.
- Able to “Piggy-Back” multiple Compartments.

WRB-185: Fits CR-175, CR-185, CR-187 and UCR-190 style Receivers

WRB-200: Fits UCR-195, UCR-195D, UCR-200D, UCR-205D, and UCR-210D style Receivers



Use of unauthorized equipment in conjunction with Anton/Bauer products constitutes misuse under our warranties and may limit or void those warranties. Anton/Bauer does not authorize, condone, recommend, or otherwise assume any liability or responsibility resulting from the use of any battery, charger or accessory made by Anton/Bauer manufacture with any battery, charger or accessory not manufactured, produced or sold by Anton/Bauer. Anton/Bauer only authorizes the use of original Anton/Bauer product with this product. Use only original Anton/Bauer equipment with this product